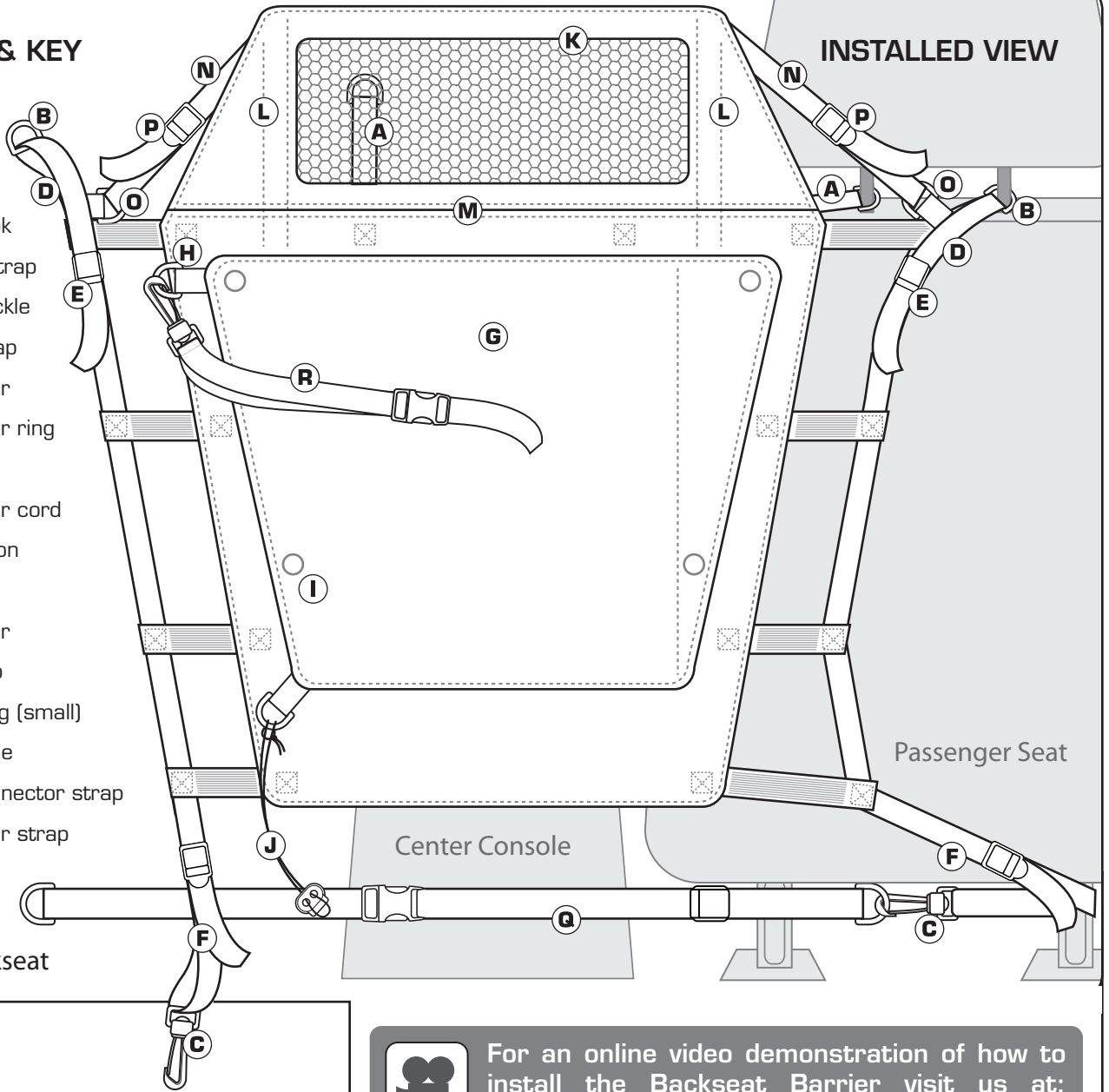


backseat/BARRIER™ Installation & care

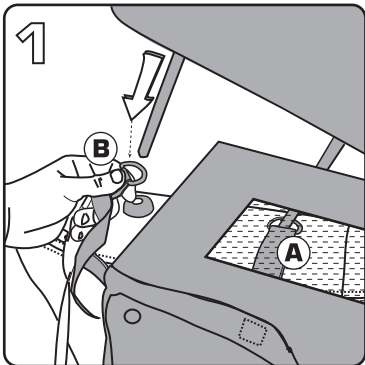
PARTS LIST & KEY

- A** elastic strap with D-ring
- B** outer D-ring
- C** under seat hook
- D** top headrest strap
- E** top tension buckle
- F** under seat strap
- G** backseat divider
- H** backseat divider ring
- I** divider snaps
- J** backseat divider cord
- K** barrier extension
- L** metal bar slot
- M** extension zipper
- N** extension strap
- O** extension D-ring (small)
- P** extension buckle
- Q** under seat connector strap
- R** backseat divider strap

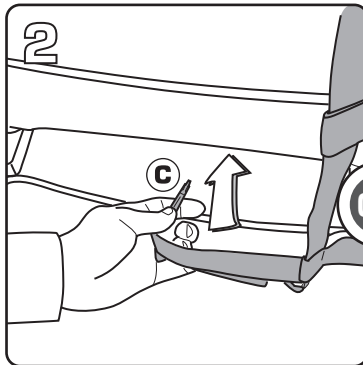


For an online video demonstration of how to install the Backseat Barrier visit us at: www.kurgo.com/support/instruction.html

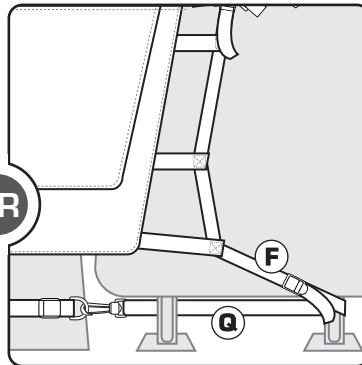
Attaching the barrier Detachable Headrests



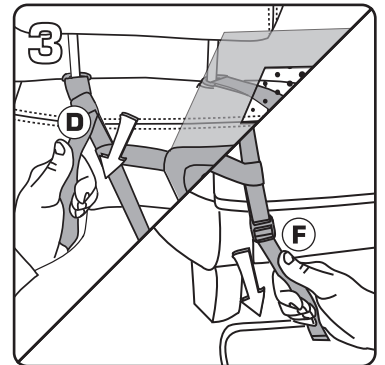
1 Orient the barrier so the Kurgo logo is facing the back of the car. Remove the driver's seat headrest. Slide the inner headrest column through the large D-ring attached to elastic strap (A). Slide outer D-ring (B) through outer headrest post. Repeat on passenger side.



2 OPTION A - Clip hook (C) to the underside of the front seat base plate or springs.

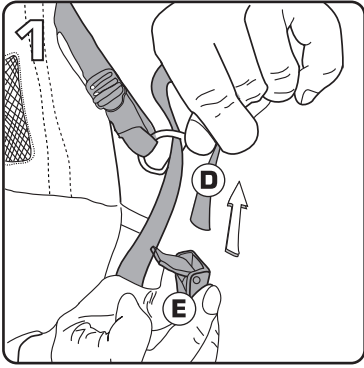


2 OPTION B - Run strap (F) around the outside footing of each seat and secure hook (C) by connecting them to either end of included connector strap (Q).

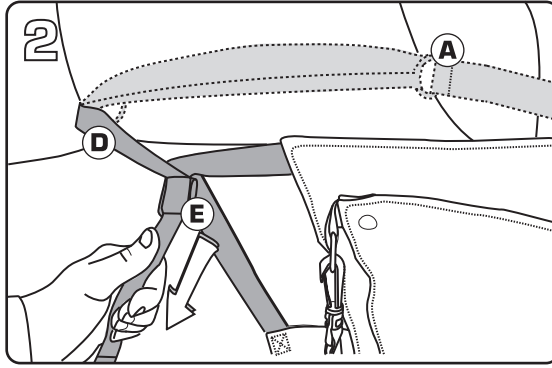


3 Pull top straps (D) tight on both sides; pull both bottom straps (F) tight.

Fixed Headrests



Pull top headrest strap (D) out of its buckle (E).

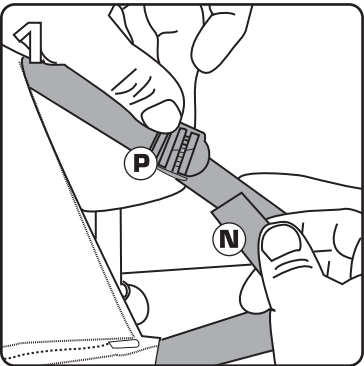


Wrap strap (D) around the headrest. Insert strap through the large D-ring (A) attached to the inner elastic strap. Bring the strap back around the headrest and run through (E). Repeat on opposite headrest.

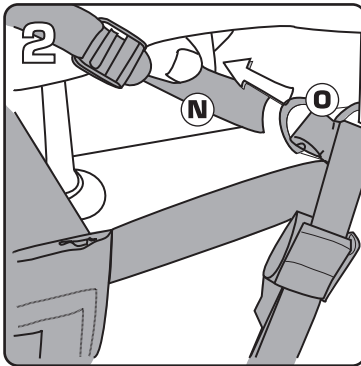
3

CONTINUE FROM STEP TWO OF THE DETACHABLE HEADREST INSTRUCTIONS

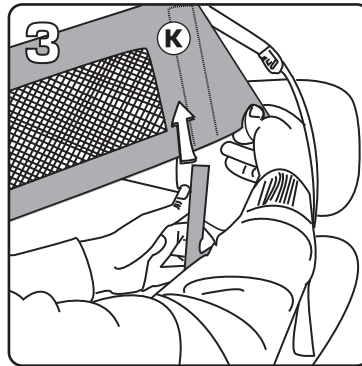
Removing the barrier extension



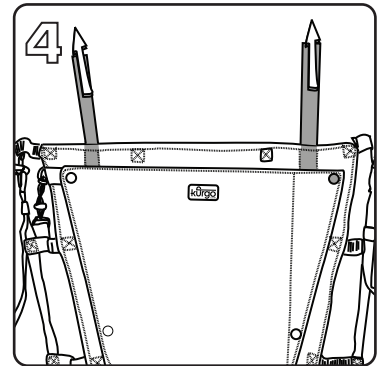
Pull top headrest strap (N) out of its buckle (P).



Continue to pull strap (N) out of (O).

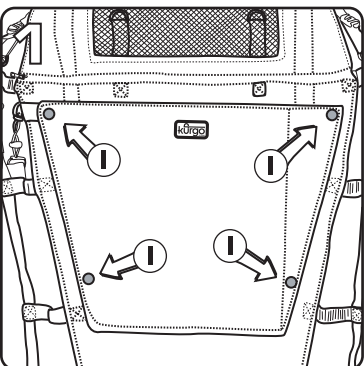


Unzip the Barrier Extension (K) completely, remove from support columns.

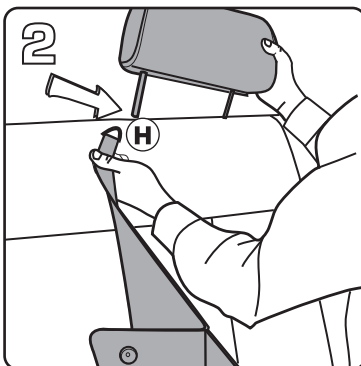


Pull the metal support columns out.

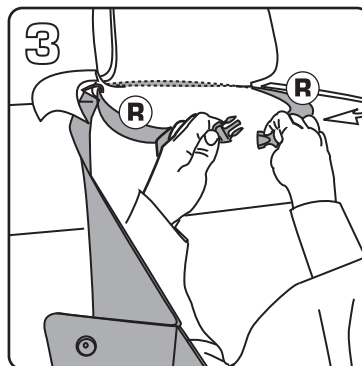
Using the backseat divider



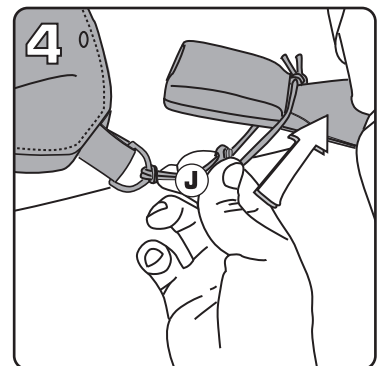
Once the Backseat Barrier is assembled, undo all 4 divider snaps (I).



FOR VEHICLES WITH DETACHABLE HEADRESTS: Remove the backseat headrest and slide the headrest column through D-ring (H).



FOR VEHICLES WITHOUT DETACHABLE HEADRESTS: Keep strap (R) hooked on (H), wrap (R) around backseat headrest, clip, and pull straps to tighten.



Wrap cord (J) around the seatbelt stem and pull tight. To shorten, tie a knot in the extra cord.

Washing instructions



- Brush off loose dirt with a dry brush.
- As needed, wipe off with a damp sponge and mild soap.
- Rinse only, if possible. Use cold water and a sponge or rinse in a tub without soap.
- Machine wash in front-loading unit (DO NOT use machine with agitator, agitator could cause damage not covered under warranty) with cold water and mild soap (Ivory Flakes, Woolite, Sport Wash, Etc.) Not detergents.
- Rinse thoroughly to eliminate soap residue.
- Lay flat to dry.